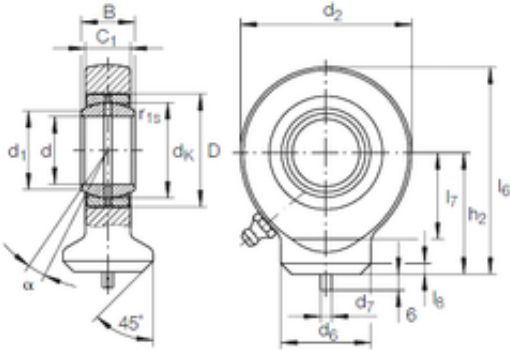




# SKF Wheel Bearings DEVELOP MFG.CORP.

17 mm x 30 mm x 14 mm INA GK 17 DO plain bearings



GK 17 DO Bearing 2D drawings and 3D CAD models

Bearing No. GK 17 DO

Size	17x30x14 mm
Bore Diameter	17 mm
Outer Diameter	30 mm
Width	14 mm
d	17 mm
D	30 mm
B	14 mm
d7	4 mm
d1	20,7 mm
d2	46 mm
d6	24 mm
dk	25 mm
h2	35 mm
l6 max.	58 mm
l7 min.	23 mm
l8	3 mm
r1 min.	0,3 mm
C1	11 mm
Angle	10 °
Weight	0,19 Kg
Basic dynamic load rating (C)	21,2 kN