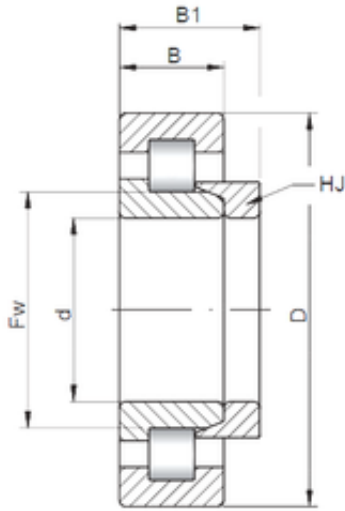




SKF Wheel Bearings DEVELOP MFG.CORP.



110 mm x 240 mm x 50 mm Loyal NH322 E cylindrical roller bearings

Bearing No. NH322 E

Size	110x240x50 mm
Bore Diameter	110 mm
Outer Diameter	240 mm
Width	50 mm
d	110 mm
Fw	143 mm
D	240 mm
B	50 mm
C	50 mm
B1	14 mm
B2	22 mm
Weight	11,91 Kg
Basic dynamic load rating (C)	451 kN
Basic static load rating (C0)	525 kN
(Grease) Lubrication Speed	2400 r/min

NH322 E Bearing 2D drawings and 3D CAD models