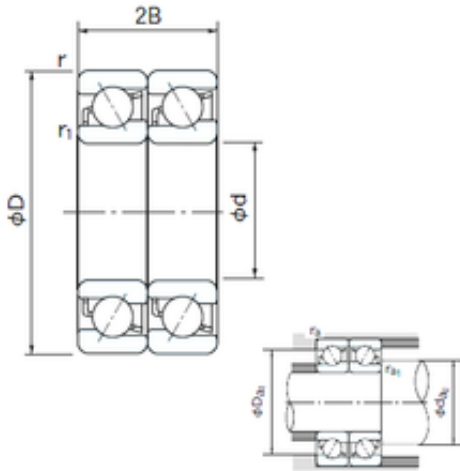




# SKF Wheel Bearings DEVELOP MFG.CORP.



110 mm x 240 mm x 50 mm NACHI 7322CDT angular contact ball bearings

Bearing No. 7322CDT

7322CDT Bearing 2D drawings and 3D CAD models

Size	110x240x50 mm
Bore Diameter	110 mm
Outer Diameter	240 mm
Width	50 mm
d	110 mm
D	240 mm
B	50 mm
C	50 mm
Angle ( ° )	15 °
a -	4.7 mm
r min.	3 mm
r1 min.	1.1 mm
2B	100 mm
da min.	124 mm
Da max.	233 mm
ra max.	1 mm
Weight	11.0 Kg
Basic dynamic load rating (C)	385 kN
Basic static load rating (C0)	455 kN
(Grease) Lubrication Speed	3700 r/min
Bore Type	Cylindrical Bore
Enclosure	Open
Configuration	Duplex
Bore Size	110 mm
Outside Diameter	240 mm



## SKF Wheel Bearings DEVELOP MFG.CORP.

Width	50 mm
Fillet Radius/Chamfer	3 mm
r1	1.1 mm
Dynamic Load Rating	385,000 N
Static Load Rating	455,000 N
Limiting Speed - Grease	3,700 rpm
Limiting Speed - Oil	5,000 rpm
da1 (min)	124 mm
da2 (min)	124 mm
Da1 (max)	226 mm
Da2 (max)	233 mm
ra (max)	2.5 mm
ra1 (max)	1 mm